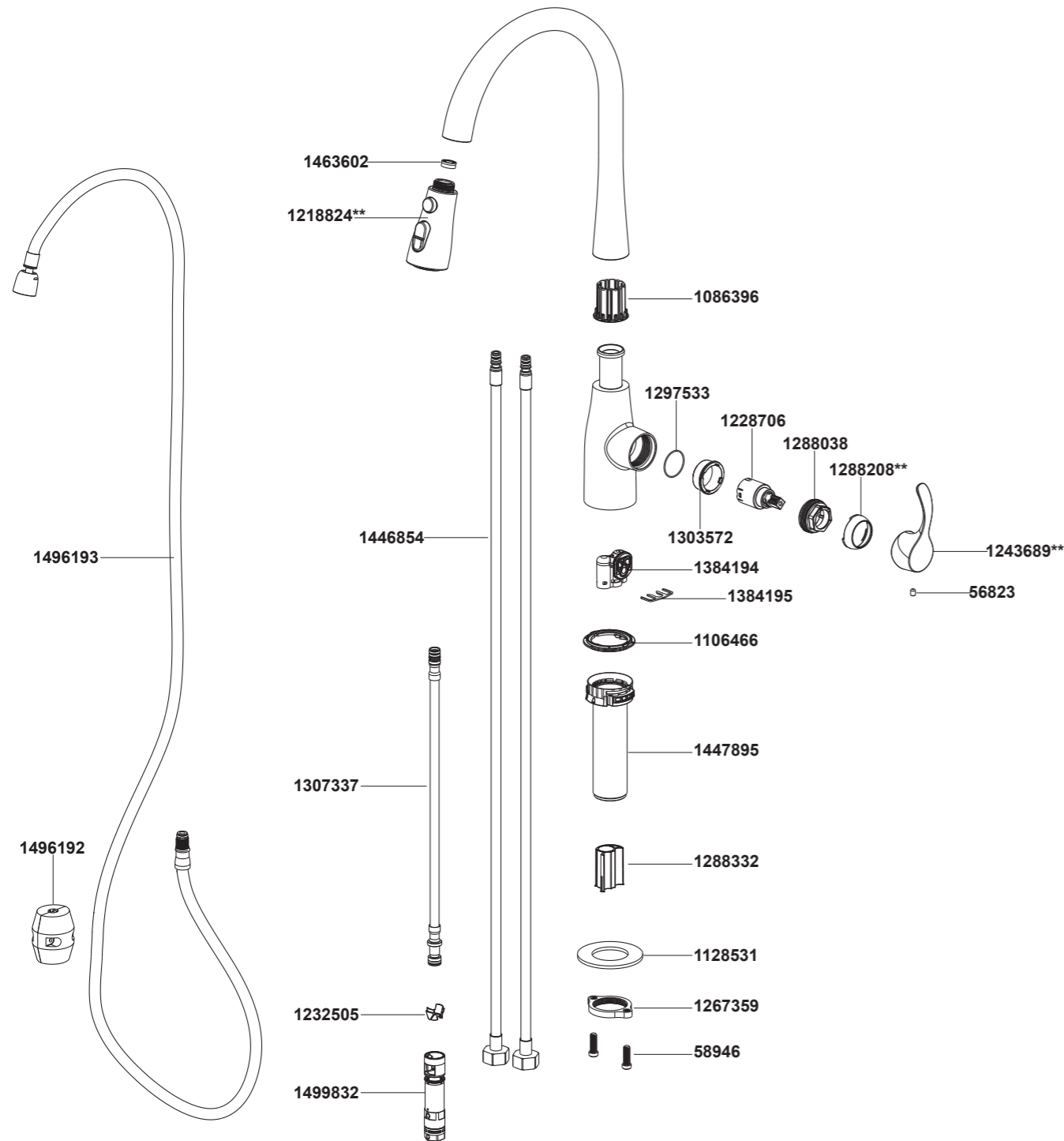


596T-4E Pull-down Kitchen Faucet



**Color code must be specified when ordering.

596T-4E Pull-down Kitchen Faucet

BEFORE YOU BEGIN

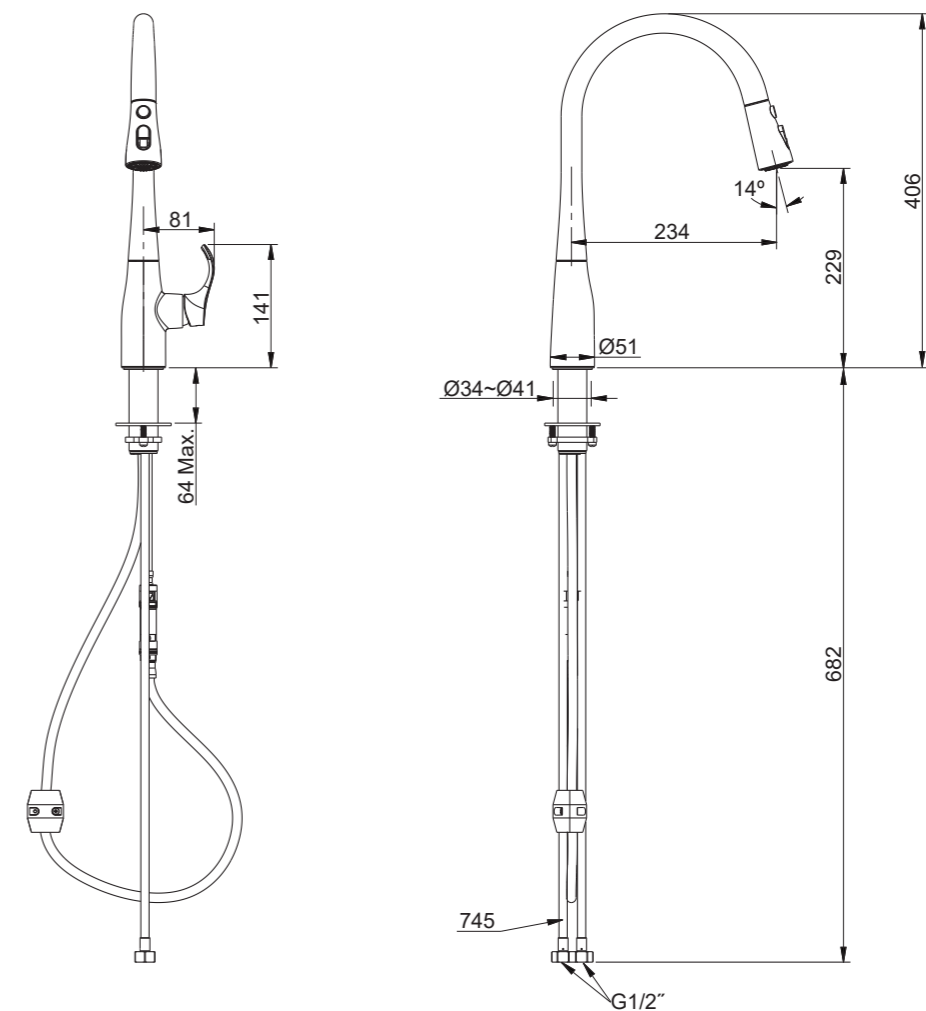
All information is based on the latest product information available at the time of publication. Kohler Co. reserves the right to make changes in product characteristics, packaging, or availability at any time without notice.

Please leave these instructions for the consumer. They contain important information.

NOTE:

1. Flush the water supply pipes thoroughly to remove debris.
2. An inline water filter must be used with this product.
3. For new installations, install the faucet to sink before installing.
4. The highest working pressure for sprayhead is 0.5MPa(5bar). If it exceeds 0.5MPa(5bar), a pressure reducer is needed. The highest water and environment temperature is 60°C. Please keep sprayhead from heater, or it may become damaged and cause injury to the user.
5. All installations should comply with the relevant requirements of AS/NZS 3500 and AS/NZS 6400.

ROUGH-IN DIMENSIONS



INSTALLATION

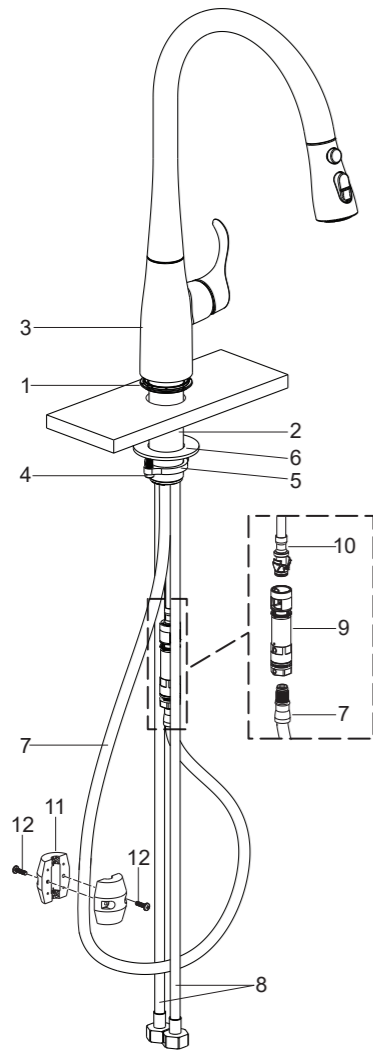
How to Install the Faucet

Slide the escutcheon(1) over the hoses and shank(2) until it contacts the faucet(3) bottom. From upside of the sink, insert the faucet assembly into the mounting hole until the escutcheon bottom is against the deck. Ensure the handle is on the right.

Partially thread two screws(4) into the threaded ring(5). From underside of the sink, place the washer(6) and threaded ring with two screws over the shank(2). Position the faucet so that the spray hose(7) is on the left, the spray hose and two supply hoses(8) are symmetrical. Thread the threaded ring onto the shank until the washer contacts the underside of the sink. Tighten two screws(4) to secure the faucet to sink.

Attach the hoses(8) to water supplies. The hose with blue dot should be connected to cold water. The hose with red dot should be connected to hot water.

Tighten the connector(9) onto the spray hose(7), and then install it to the outlet hose(10). Loosely attach the weight(11) to the spray hose. Adjust the weight to the appropriate position. Secure the weight in place by tightening two screws(12). Extend and retract the spray hose to check for smooth operation.



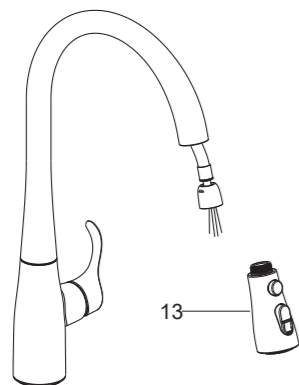
INSTALLATION CHECKOUT

Ensure that all coupling nuts are tight.

Ensure that the handle is in the off position.

Turn on the main water supply and drain, and check for leaks. Repair as needed.

Remove the sprayhead(13). Run hot and cold water about one minute to remove any debris. Shut off the faucet. Reinstall the sprayhead.

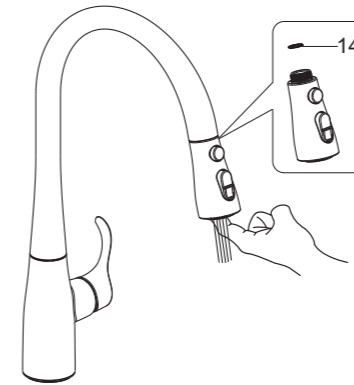


CARE AND MAINTENANCE

Turn on the faucet, rub the sprayhead nozzles to dislodge debris.

To improve water flow, turn off the faucet. Disconnect the sprayhead. Remove and clean the screen(14) inside the sprayhead.

Reinsert the screen and reconnect the sprayhead.



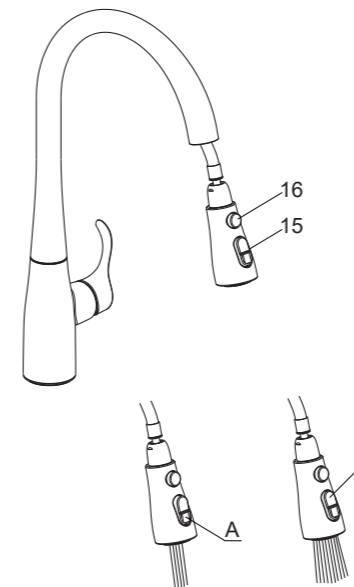
OPERATION INSTRUCTION

Turn on the handle gently. Turn clockwise for cold water, counter-clockwise for hot water.

If you want to use the sprayhead by hand, take the sprayhead and pull out the hose.

Press different position A or B of the button(15), you will get different water flow as shown. Press and hold the button(16), it will stop water flow.

NOTE: Please pull it gently and do not draw out the spray hose too long, or you may damage the hose and connector.



CLEANING INSTRUCTIONS

All Finishes: Clean the finish with mild soap and warm water. Wipe entire surface completely dry with clean soft cloth. Many cleaners may contain chemicals, such as ammonia, chlorine, toilet cleaner etc, which could adversely affect the finish and are not recommended for cleaning.

Do not use abrasive cleaners or solvents on Kohler faucets and fittings.